

Erratum: An ESR meter for Electrolytic Capacitors by Jim Tregellas VK5JST

We regret that some of the images for the article “An ESR meter for Electrolytic Capacitors” by Jim Tregellas VK5JST were not correctly reproduced in the September issue of *Amateur Radio*.

In particular:

(a) the printed circuit pattern. The original drawing had a clear margin surrounding it which defined precisely the final printed circuit board size. This has been removed and replaced with an arbitrary border by AR making the pcb far too large to fit the box specified.

(b) the drawing for the component overlay and front panel pattern. This drawing has been down sized by about 5% making the front panel pattern useless for its intended purpose of marking out the box and producing a properly sized front panel label.

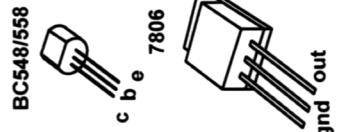
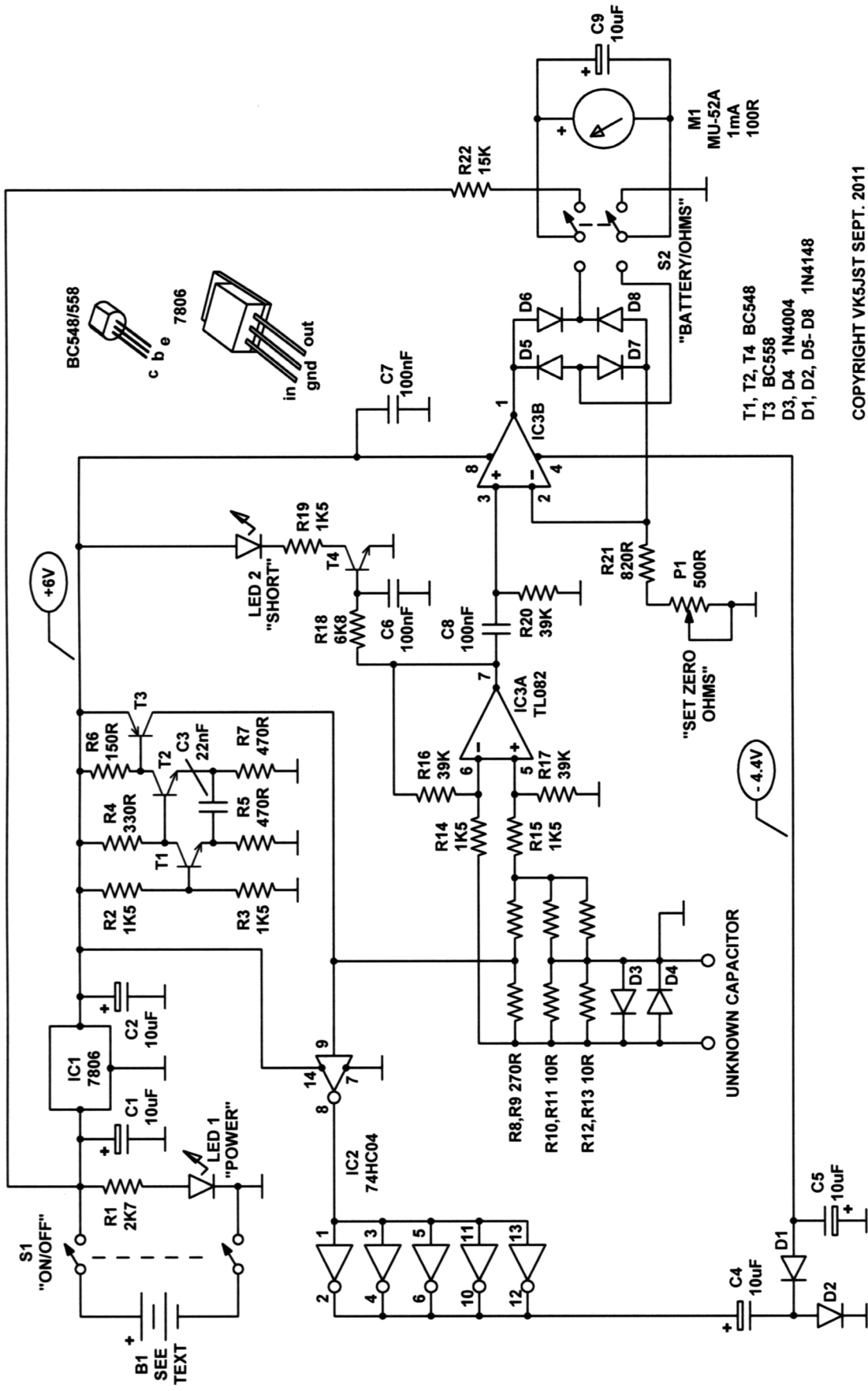
Correctly sized front panel artwork is available on author’s homepage.

<http://www.users.on.net/~endsodds/esr.htm>

(Alternatively the front panel drawing can be increased to its correct size by using the artwork published in the September issue and a good photocopier. The correct size of the outer border of the front panel detail is 157 x 95 mm, producing a front panel label 80 mm wide by 82 mm high). Also available on the author’s homepage is a full colour version of the meter scale for both MU-52 and MU-65 meters which was not submitted as part of the original article.

A pdf copy of all the artwork submitted for publication is also available on the September *AR* page on the WIA web site:

<http://www.wia.org.au/members/armag/2012/september/>



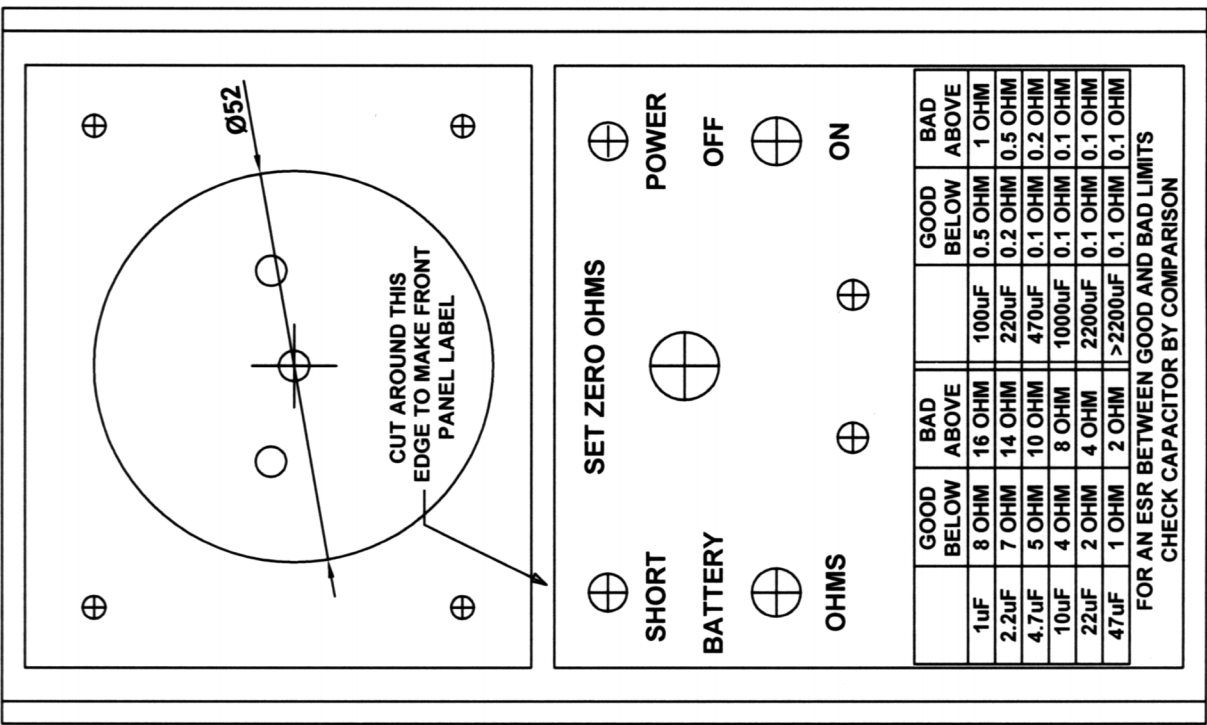
- T1, T2, T4 BC548
- T3 BC558
- D3, D4 1N4004
- D1, D2, D5-D8 1N4148

COPYRIGHT VK5JST SEPT. 2011

ESR TESTER CIRCUIT DIAGRAM

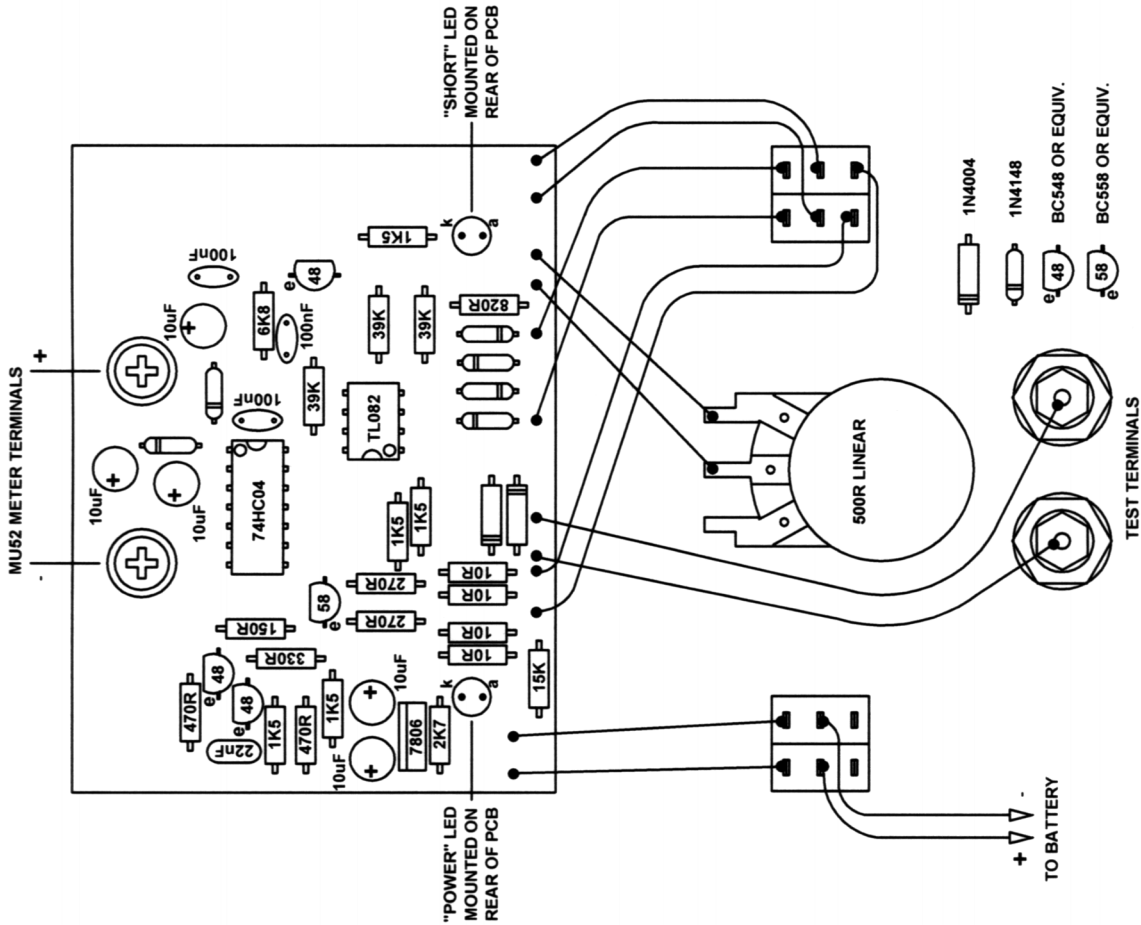
COPYRIGHT VK5JST SEPT. 2011

ESR circuit - davy



FRONT PANEL PATTERN

USE TO MARK OUT BOX AND TO MAKE FRONT PANEL LABEL

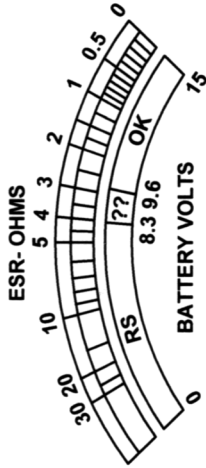


COMPONENT OVERLAY AND WIRING FOR ESR TESTER

COPYRIGHT VK&JST SEPT. 2011

Comp Only F.P. dwg · STANDARD AR PAGE 240 X 172MM - PLEASE REPRODUCE EXACT SIZE

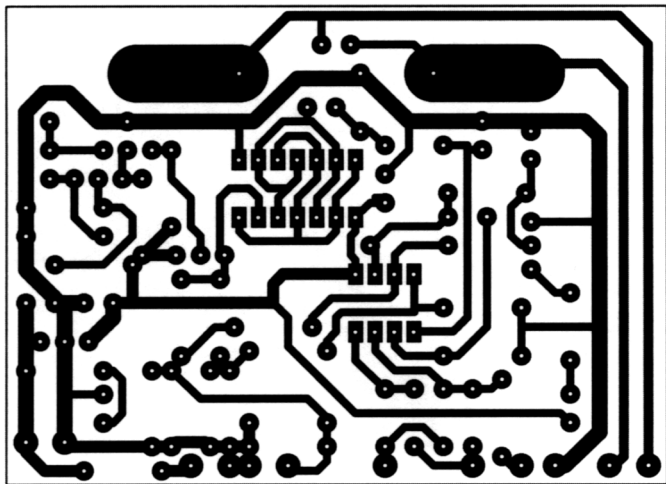
76



MR52 METER SCALE

AR STANDARD DOUBLE
COLUMN WIDTH 82MM

SCALE.dwg



ESR PCB. EPS